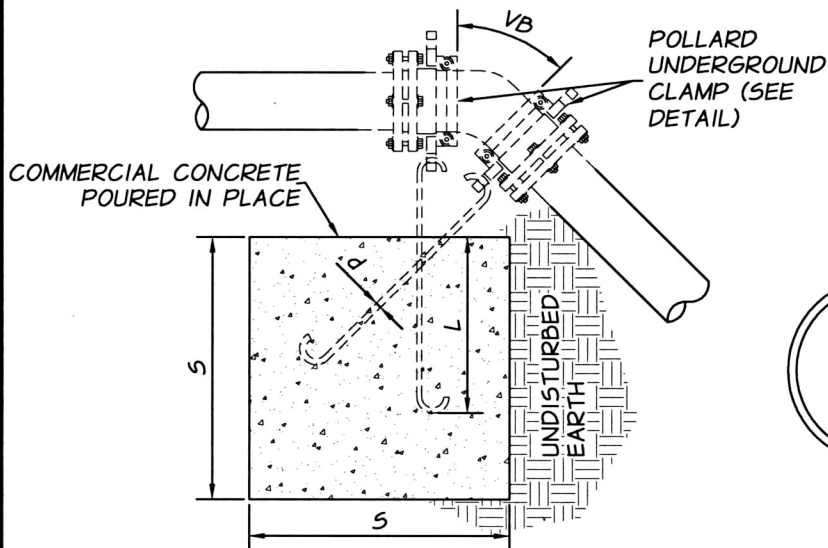


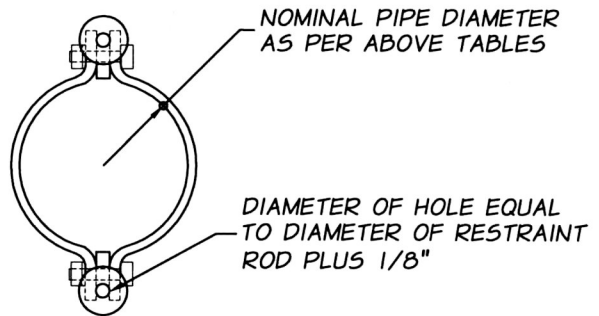
**TYPE "A" BLOCKING**  
FOR VERTICAL BENDS OF 30° OR LESS  
NTS

TYPE "A" BLOCKING				
DIA.	VB	S	d	L
6"	11 1/4°	2.2'	5/8"	2.0'
	22 1/2°	2.9'		
	30°	3.5'		
8"	11 1/4°	2.5'	5/8"	2.0'
	22 1/2°	3.6'		
	30°	4.1'		
10"	11 1/4°	2.9'		
	22 1/2°	3.7'		
	30°	4.1'		
12"	11 1/4°	3.2'	5/8"	2.0'
	22 1/2°	4.5'		
	30°	5.1'		
16"	11 1/4°	4.1'	7/8"	3.0'
	22 1/2°	5.7'		
	30°	6.5'		



**TYPE "B" BLOCKING**  
FOR VERTICAL BENDS OF 45°  
NTS

TYPE "B" BLOCKING						
DIA.	VB	S	d	L		
6"	45°	4.1'	5/8"	2.0'		
8"		5.0'				
10"		4.6'				
12"		6.1'			3/4"	2.5'
16"		7.8'			1 1/8"	4.0'



**POLLARD UNDERGROUND CLAMP**  
NTS

**TYPICAL CONCRETE BLOCKING**



APPROVED BY: [Signature]  
County Engineer: [Signature] DATE: 3/20/2003

REVISION:	DESCRIPTION:	DATE:
K.P.	STANDARD REVIEW	02-28-03

STANDARD PLAN  
**W-6**  
SHEET 1 OF 1  
FILE NAME: G:\USERS\STANDARD\WATER\WS