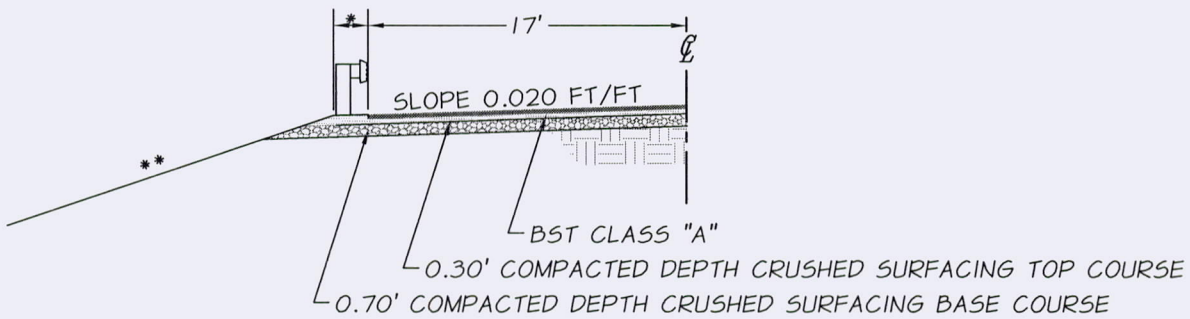


CROSS SECTION
NTS



* SEE WSDOT GUARDRAIL STANDARD PLANS FOR DIMENSIONS
** SLOPE PER PLANS

CROSS SECTION WITH GUARDRAIL
NTS

RURAL (SHOULDERED):

MAJOR COLLECTOR (MAC) FUNCTIONAL CLASSIFICATION 07 ADT < 1000
MINOR COLLECTOR (MIC) FUNCTIONAL CLASSIFICATION 08 ADT < 1000
RURAL ACCESS (ACC) FUNCTIONAL CLASSIFICATION 09 ADT < 1000

STANDARD RURAL ACCESS ROADWAY DETAIL



APPROVED BY: [Signature] DATE: 3/10/2020
County Engineer: _____

REVISION:	DESCRIPTION:	DATE:

ROADWAY SECTION
RS-6
SHEET 1 OF 1
FILE NAME: