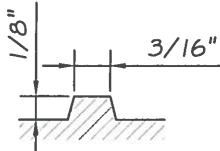
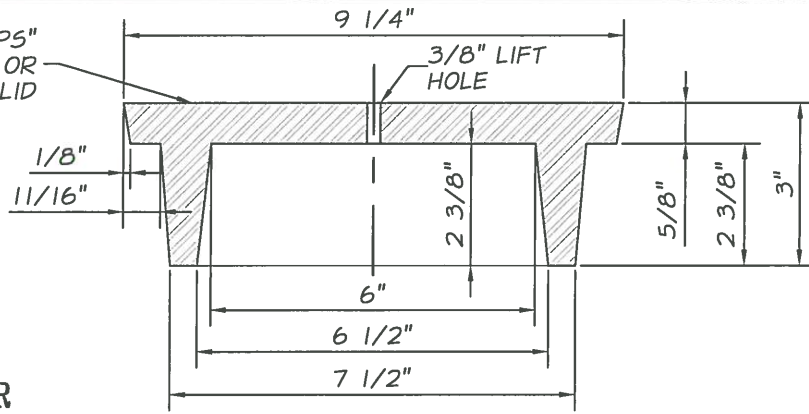




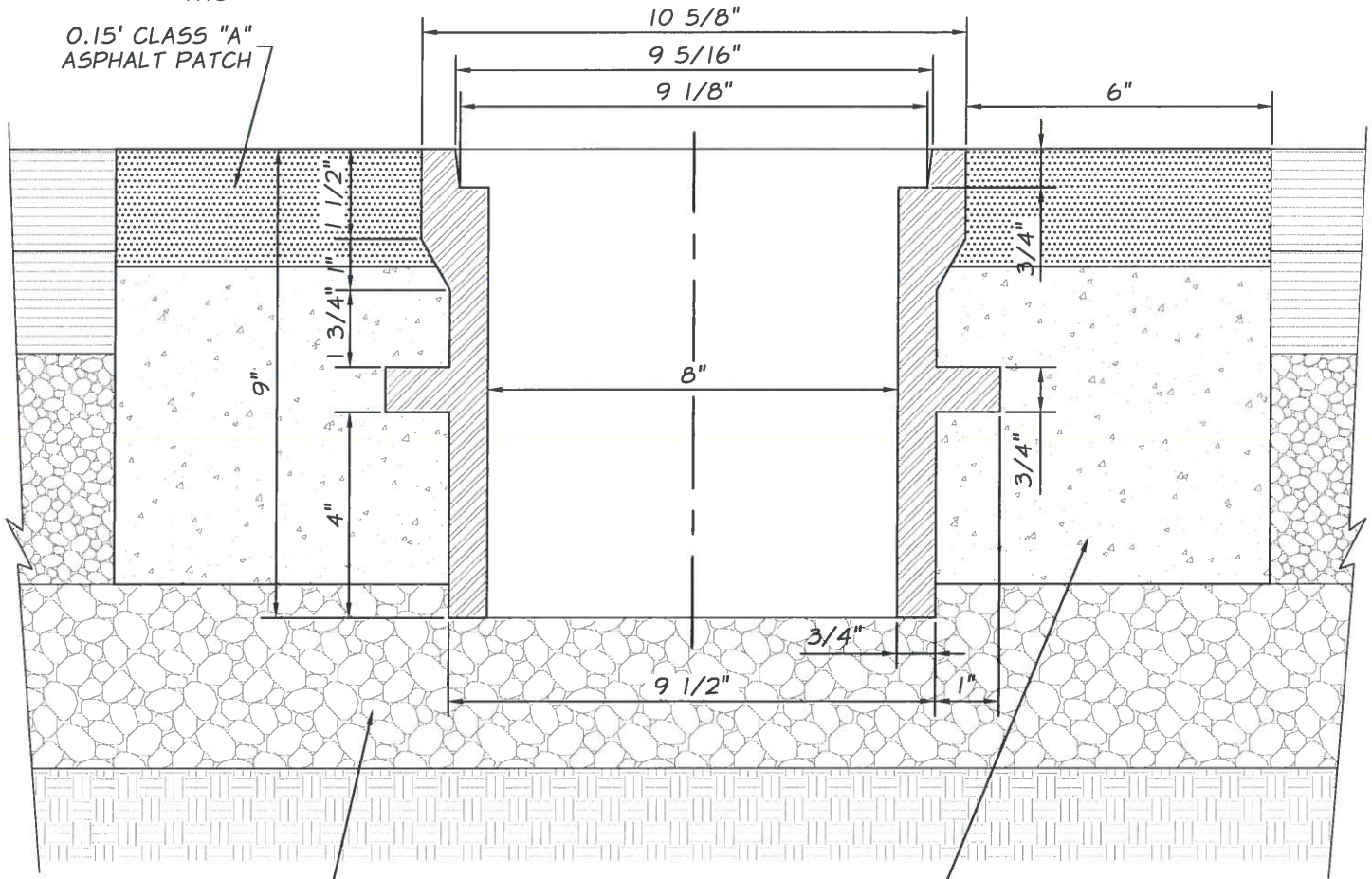
LETTERS "YCP S"
STAMPED OR
CAST IN LID



SECTION OF LETTER
NTS



0.15' CLASS "A"
ASPHALT PATCH



CRUSHED SURFACING TO
BE REPLACED AFTER
SETTING MONUMENT

6" MINIMUM DEPTH COMMERCIAL
CONCRETE RING

CROSS SECTION VIEW
NTS

NOTES:

- 1) DIMENSIONS MAY VARY ACCORDING TO MANUFACTURER.
- 2) MACHINE BEARING FACES OF CASE AND COVER TO INSURE POSITIVE FIT.
- 3) CASTING SHALL BE GRAY IRON AASHTO M-105, CLASS 30.

MONUMENT CASE AND COVER



APPROVED BY: [Signature]
County Engineer: _____ DATE: 5/14/15

REVISION:	DESCRIPTION:	DATE:

STANDARD PLAN
S-11
SHEET 1 OF 1
FILE NAME: